



KS B11.11 FL30X4 V2A (380 129)

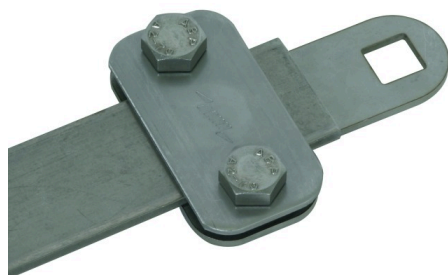
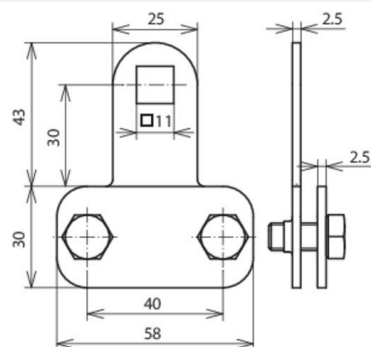


Figure without obligation



Arrangement:



Type	KS B11.11 FL30X4 V2A
Part No.	380 129
Clamping range FI	up to 30 x 4 mm
Material	StSt
Fixing	square hole 11 x 11 mm
Screw	⚙ M8 x 16 mm
Material of screw	StSt
Lightning current carrying capability (10/350 μs)	100kA ^{*)}
Standard	EN 62561-1
Weight	100 g
Customs tariff number (Comb. Nomenclature EU)	85359000
GTIN	4013364150416
PU	50 pc(s)

^{*)} For exact assignment see test certificate.

We reserve the right to introduce changes in performance, configuration and technology, dimensions, weights and materials in the course of technical progress. The figures are shown without obligation.